

CAT. No.

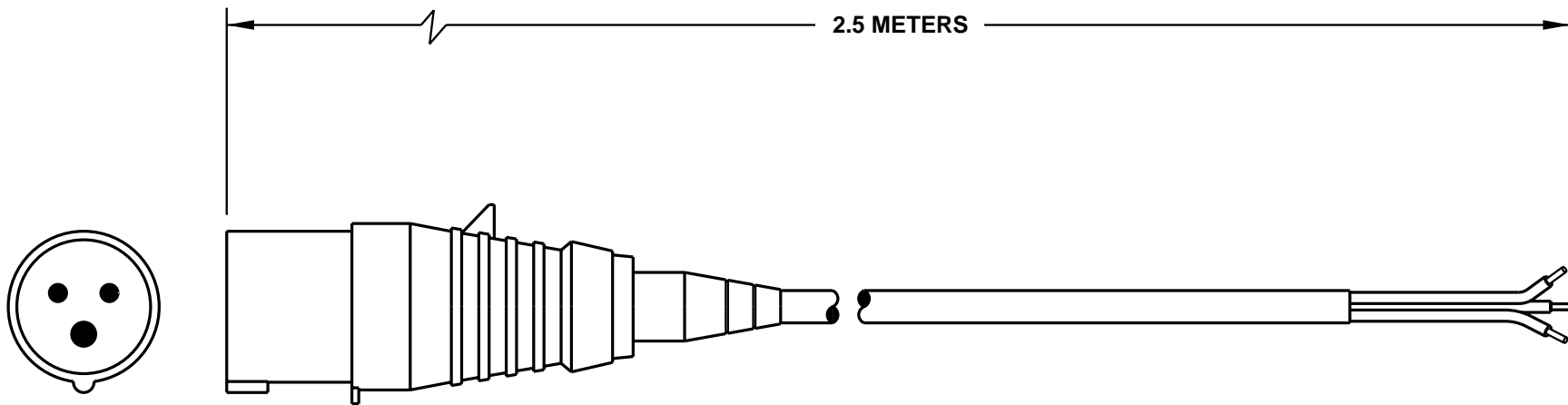
**39031**

**POWER SUPPLY CORD**

COMPONENT APPROVALS   CE    CSA    UL    VDE

**SPECIFICATIONS:**

1. **OVERALL LENGTH:** 2.5 METERS
2. **CONDUCTORS:** 14/3 AWG, (1.5 mm)
3. **JACKET:** SJT, 105 DEGREES C, H05VV-F, BLACK
4. **PLUG:** IEC 60309 6H, 20 AMPERE 250 VOLT (UL/CSA), 16 AMPERE 230 VOLT (EUROPEAN), 2 POLE + EARTH, BLUE
5. **CONNECTOR:** NONE
6. **RATED:** 15 AMPERE 250 VOLT



[www.InternationalConfig.com](http://www.InternationalConfig.com)  
[sales@internationalconfig.com](mailto:sales@internationalconfig.com)